



Short Description



- Stainless steel IP68 single ended bending beam
- Hermetically sealed
- Suitable for pallet, platform and small hopper scales
- High accuracy
- Current calibrated (SC-option)



Test certificate no. TC7968 Revision 0
C of C no R60/2000-NL1-11.20



Certificate no. 07.020A1

Available Models

Capacity	Accuracy	Full Article Description
5kg	C3 Excluded from OIML	BM11-C3-5kg-3B-SC
10kg	C3/C4	BM11-C3/C4-10kg-3B-SC
20kg	C3/C4	BM11-C3/C4-20kg-3B-SC
30kg	C3/C4	BM11-C3/C4-30kg-3B-SC
50kg	C3/C4	BM11-C3/C4-50kg-3B-SC
100kg	C3/C4	BM11-C3/C4-100kg-3B-SC
200kg	C3/C4	BM11-C3/C4-200kg-3B-SC
250kg	C3/C4	BM11-C3/C4-250kg-3B-SC
350kg	C3/C4	BM11-C3/C4-350kg-3B-SC
500kg	C3/C4	BM11-C3/C4-500kg-3B-SC

Technical Specifications BM11

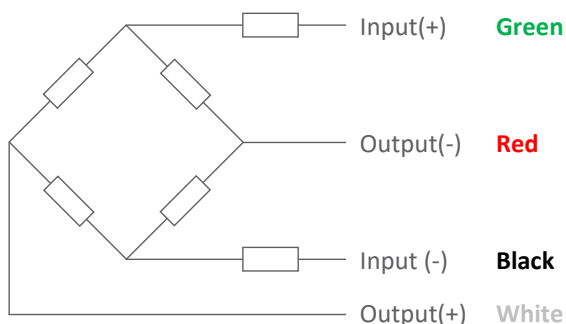
Accuracy Class		C3	OIML R60 C3	OIML R60 C4
Output Sensitivity (= FS)	mV/V	2.0 ± 0.2		
Maximum Capacity (E _{max})	kg	5	10, 20, 30, 50, 100, 200, 250, 350, 500	
Max. Number of Load Cell Intervals	n _{LC}	3000		4000
Ratio of min. LC Verification Interval	Y = E _{max} / V _{min}	10000		15000
Combined Error	%FS	≤± 0.020		≤± 0.0174
Creep Error (30 minutes)	%FS	≤± 0.016		≤± 0.012
Temperature Effect on Zero (ZTC)	%FS/10°C	≤± 0.015		≤± 0.010
Temperature Effect on Sensitivity (STC)	%FS/10°C	≤± 0.011		≤± 0.009
Zero Balance	%FS	≤± 1.0		
Safe Overload	%FS	150		
Ultimate Overload	%FS	300		
Excitation, Recommended Voltage	V	5 ~ 12		
Excitation, Maximum Voltage	V	18		
Input Resistance	Ω	460 ± 50		
Output Resistance	Ω	350 ± 3.5		
Insulation Resistance (50V)	MΩ	≥5000		
Compensated Temperature	°C	-10 ~ + 40		
Operating Temperature	°C	-35 ~ + 65		
Load Cell Weight	kg	~0.50		
Element Material		Stainless Steel		
Ingress Protection (acc. to EN 60529)		IP68		
Recommended Torque on Fixation Bolts	Nm	M8: 25		M10: 50
ATEX Classification (optional)		II 1G Ex ia IIC T4 Ga	II 1D Ex ia IIIC T ₂₀₀ 135°C Da	II 3G Ex ic IIC T4 Gc

Wiring

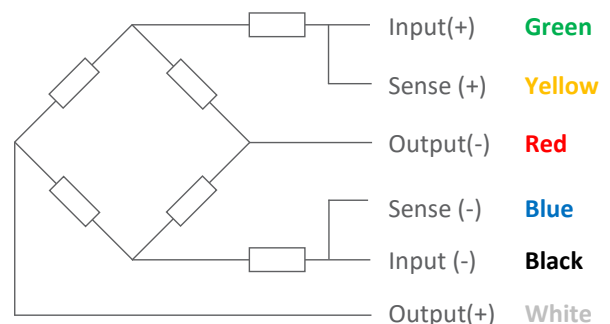
Features:

Cable type: Shielded, 6 and 4 conductor cable , conductor AWG 24 (6-wire) or AWG 22 (4-wire)
 Cable diameter: Ø 5.0mm
 Cable length: 4 conductor: 3m, 6 conductor: 6m
 Cable jacket: Polyurethane
 Shield not connected to element

4-Wire Connection Diagram

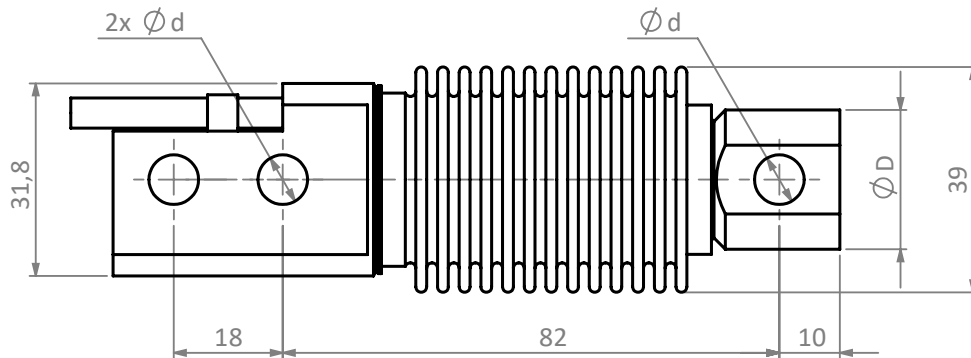


6-Wire Connection Diagram

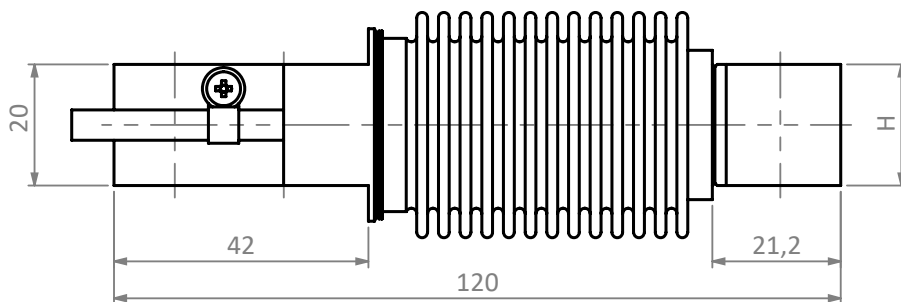


Dimensions in mm

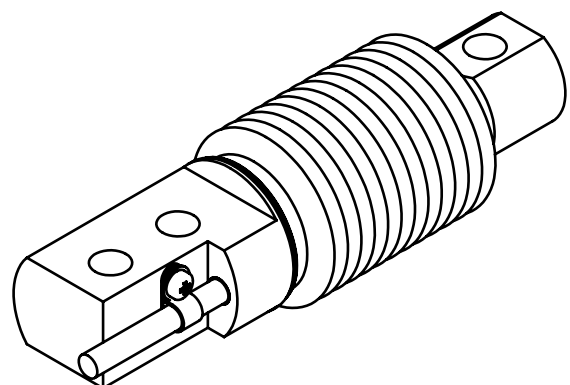
Top View



Side View

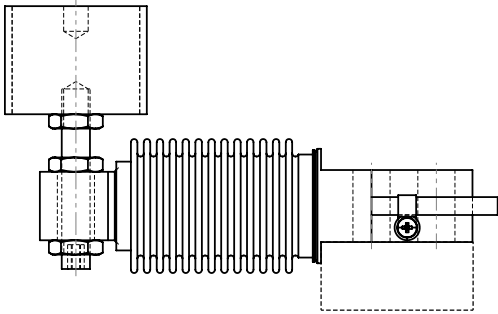
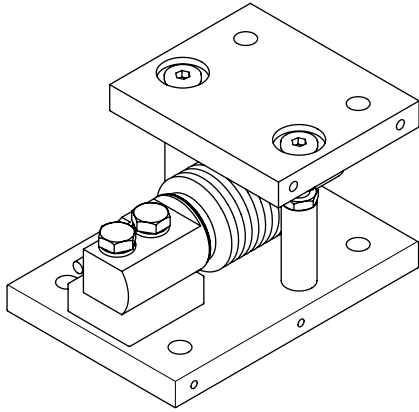


Isometric View



Dimension Capacity	d	D	H
5kg	8.2	23	20
10kg	8.2	23	20
20kg	8.2	23	20
30kg	8.2	23	20
50kg	8.2	23	20
100kg	8.2	23	20
200kg	8.2	23	20
250kg	10.3	24	19
350kg	10.3	24	19
500kg	10.3	24	19

Available Accessories

<p>BJ-11-220-5-500kg Foot</p> <ul style="list-style-type: none">• Stainless steel• Elastomer foot• Adjustable height	
<p>BM-11-401-5-500kg Mount</p> <ul style="list-style-type: none">• Stainless steel mount• Easy load cell access• Self-aligning construction• Lift-off protection• Controlled horizontal movement	
<p>BM-11-402-5-500kg Mount</p> <ul style="list-style-type: none">• Stainless steel mount• BM-11-401 + Stay Rod• Easy load cell access• Self-aligning construction• Lift-off protection• Stabilized by stay rod• Recommended if horizontal forces are expected in the use application	